

Pb Free Plating Product

## ES5AB thru ES5JB



5.0 Ampere Surface Mount Type Super Fast Recovery Rectifier Diodes

### FEATURE

- ◆ Glass passivated chip junction
- ◆ The plastic package carries Underwriters Laboratory Flammability Classification 94V-0
- ◆ For surface mounted applications
- ◆ Low reverse leakage
- ◆ Built-in strain relief, ideal for automated placement
- ◆ High forward surge current capability
- ◆ High temperature soldering guaranteed: 250°C/10 seconds at terminals

### MECHANICAL DATA

**Case:** SMB/DO-214AA Package

**Terminals:** Solder plated, solderable per MIL-STD-750, Method 2026

**Polarity:** Color band denotes cathode band

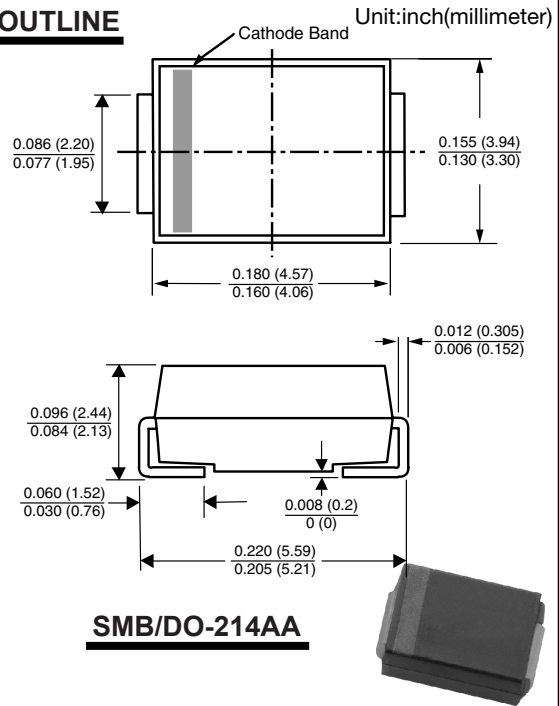
**Mounting Position:** Any

**Weight:** 0.11 gram approximately

### APPLICATION

- ◆ LED SMPS/Industrial power supply
- ◆ HID ballast stabilizer
- ◆ Telecommunication SMPS/LED street lamp

### OUTLINE



### MAXIMUM RATINGS AND ELECTRICAL CHARACTERISTICS

Ratings at 25°C ambient temperature unless otherwise specified.

Single phase half-wave 60Hz, resistive or inductive load, for capacitive load current derate by 20%.

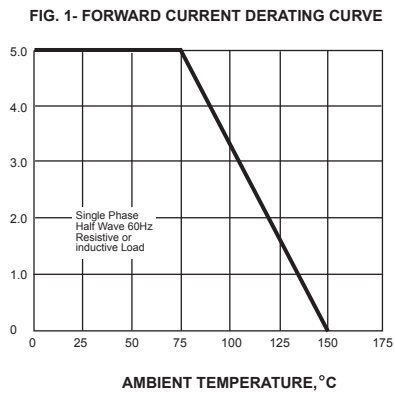
	SYMBOLS	ES5AB	ES5BB	ES5CB	ES5DB	ES5EB	ES5GB	ES5JB	UNITS
Maximum repetitive peak reverse voltage	$V_{RRM}$	50	100	150	200	300	400	600	VOLTS
Maximum RMS voltage	$V_{RMS}$	35	70	105	140	210	280	420	VOLTS
Maximum DC blocking voltage	$V_{DC}$	50	100	150	200	300	400	600	VOLTS
Maximum average forward rectified current at $T_L=75^\circ\text{C}$	$I_{(AV)}$	5.0							Amps
Peak forward surge current 8.3ms single half sine-wave superimposed on rated load (JEDEC Method)	$I_{FSM}$	125							Amps
Maximum instantaneous forward voltage at 5.0A	$V_F$	0.95			1.3		1.7		Volts
Maximum DC reverse current $T_A=25^\circ\text{C}$ at rated DC blocking voltage $T_A=100^\circ\text{C}$	$I_R$	10.0 300.0							$\mu\text{A}$
Maximum reverse recovery time (NOTE 1)	$t_{rr}$	35							ns
Typical junction capacitance (NOTE 2)	$C_J$	58.0							pF
Typical thermal resistance	$R_{\theta JA}$	47.0							$^\circ\text{C/W}$
Operating junction and storage temperature range	$T_J, T_{STG}$	-65 to +150							$^\circ\text{C}$

**Note:** 1. Reverse recovery condition  $I_F=0.5\text{A}, I_R=1.0\text{A}, I_{rr}=0.25\text{A}$

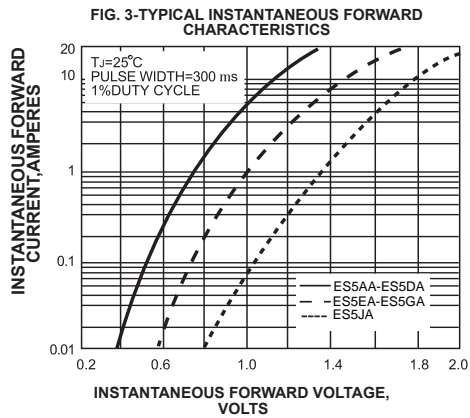
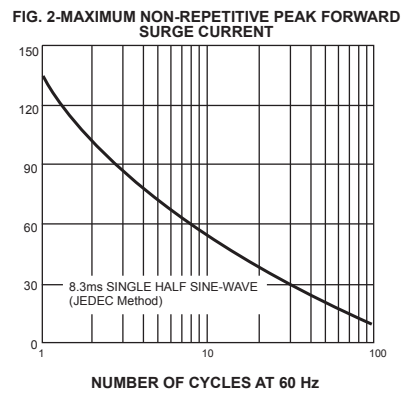
2. Measured at 1MHz and applied reverse voltage of 4.0V D.C.

## RATINGS AND CHARACTERISTIC CURVES ES5AB thru ES5JB

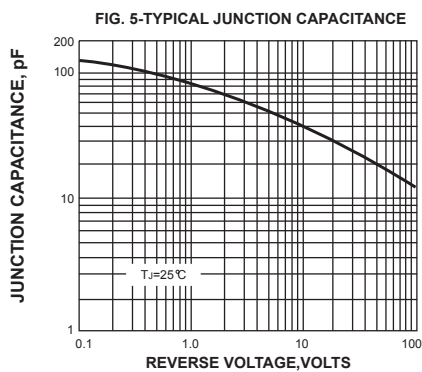
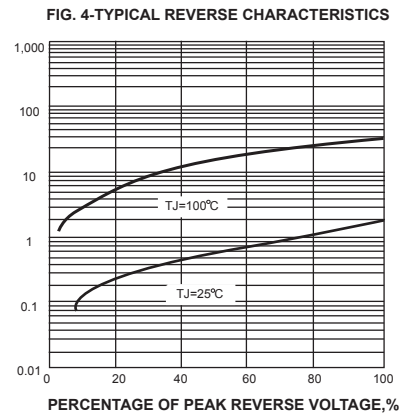
AVERAGE FORWARD RECTIFIED CURRENT, AMPERES



PEAK FORWARD SURGE CURRENT, AMPERES



INSTANTANEOUS REVERSE CURRENT, MICROAMPERES



TRANSIENT THERMAL IMPEDANCE, °C/W

